

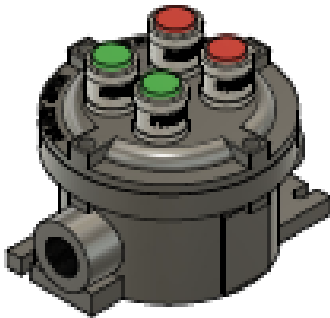
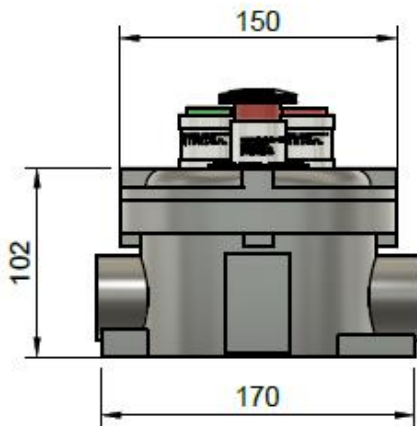


EFDS SERIES EX-PROOF ROUND CONTROL BOXES

ATEX CERTIFICATE: INSEMEX-OEC.ATEX.21.0326X

CE  II 2 G Ex d II C T6 Gb

CE  II 2 D Ex tb III C T80°C Db



APPLICATIONS

EFDS SERIES ex-proof control box is suitable for use in Zone-1, Zone-21, Zone-2 and Zone 22 ex-proof environments. Maximum 4 control elements can be placed in accordance with the demand; It can be used as 0-1 switch, emergency stop button, signal button, potentiometer, 0-1-2 switch, 1-0-2 switch.

TECHNICAL SPECIFICATIONS

220 V, 50 Hz with energy input
2x3/4" with hole

MATERIAL

Body; aluminum casting (ETIAL 171)
Colour: RAL 7040(grey)

MECHANICAL PROTECTION TYPE

IP 66